

MOKAAB

ABI

KHAVAREMIANE

<https://mokaab-e-abi.com/>
02122753463-02122531490



Filter Max Series Top Mount Filter

FEATURES

EMAUX's innovative design and advanced technology offers superior filtration performance and crystal clear water. Filter Max filters are blown at one-piece with high density polyethylene for its heavy duty performance and reliability.

Product Focus



Highlight Features:

- Suggested Installation: Domestic In-ground and above ground pool / hot spa tub
- Max operating pressure 40 psi / 2.8 bar
- Max temperature of 50°C (122 °F)
- Universal standard of union connection provided
- ABS lateral provided
- Suggested size of media : 0.5-0.8mm

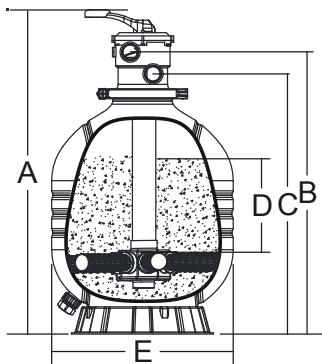
- [1] Unique one-piece clamp with screw-type lock designed to simplify installation and allow tool-free servicing.
- [2] Equipped with multiport valve with 6-way functions
- [3] Easy-to-read pressure gauge for easy inspection

Technical Information

Code	Model No	Filter Area(m ²)	Valve Connections		Max Flow Rate		Sand(kg)
88012526	MFV17	0.14	1.5 inch	50mm	117lpm	7.0m ³ /h	40
88012527	MFV20	0.20	1.5 inch	50mm	167lpm	10.0m ³ /h	70
88012528	MFV24	0.28	1.5 inch	50mm	233lpm	14.0m ³ /h	125
88012529	MFV27A	0.36	1.5 inch	50mm	240lpm	14.4m ³ /h	185
88012530	MFV27	0.36	2.0 inch	63mm	300lpm	18.0m ³ /h	185
88012531	MFV31A	0.47	1.5 inch	50mm	313lpm	18.8m ³ /h	320
88012532	MFV31	0.47	2.0inch	63mm	392lpm	23.5m ³ /h	320
88012533	MFV35	0.61	2.0 inch	63mm	508lpm	30.5m ³ /h	430

Note: Suggested sand weight varies with differences in filter media size. For reference only.

Product Dimension



Model No	A mm	B mm	C mm	D mm	E mm
MFV17	816	695	625	195	425
MFV20	889	772	712	225	500
MFV24	980	860	800	280	600
MFV27A	1081	963	903	300	675
MFV27	1133	976	910	300	675
MFV31A	1126	1008	948	370	775
MFV31	1178	1021	955	370	775
MFV35	1296	1139	1073	440	875



Filter Max Series Side Mount Filter

FEATURES

EMAUX's innovative design and advanced technology offers superior filtration performance and crystal clear water. Filter Max filters are blown at one-piece with high density polyethylene for its heavy duty performance and reliability.

Product Focus



- [1] Unique one-piece clamp with screw-type lock designed to simplify installation and allow tool-free servicing.
- [2] Equipped with multiport valve with 6-way functions
- [3] Easy-to-read pressure gauge for easy inspection



Highlight Features:

- Suggested Installation:
Domestic In-ground and above ground pool / hot spa tub
- Max operating pressure 40 psi / 2.8 bar
- Max temperature of 50°C (122 °F)
- Universal standard of union connection provided
- ABS lateral provided
- Suggested size of media : 0.5-0.8mm

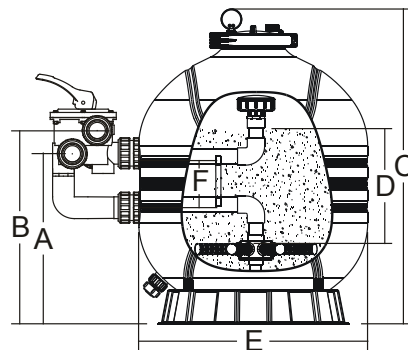
Technical Information

Code	Model No	Filter Area(m ²)	Valve Connections		Max Flow Rate		Sand(kg)
88012626	MFS17	0.14	1.5 inch	50mm	117lpm	7.0m ³ /h	40
88012627	MFS20	0.20	1.5 inch	50mm	167lpm	10.0m ³ /h	70
88012628	MFS24	0.28	1.5 inch	50mm	233lpm	14.0m ³ /h	125
88012629	MFS27A	0.36	1.5 inch	50mm	240lpm	14.4m ³ /h	185
88012630	MFS27	0.36	2.0 inch	63mm	300lpm	18.0m ³ /h	185
88012631	MFS31A	0.47	1.5 inch	50mm	313lpm	18.8m ³ /h	320
88012632	MFS31	0.47	2.0inch	63mm	392lpm	23.5m ³ /h	320
88012633	MFS35	0.61	2.0 inch	63mm	508lpm	30.5m ³ /h	430

Note: Suggested sand weight varies with differences in filter media size. For reference only.

Product Dimension

Model No	A mm	B mm	C mm	D mm	E mm	F mm
MFS17	354.5	417.5	670	195	425	125
MFS20	396.3	549.3	760	225	500	125
MFS24	429.5	492.5	825	280	600	125
MFS27A	480.0	543.0	946	300	675	125
MFS27	527.5	590.5	946	300	675	220
MFS31A	505.5	568.5	968	370	775	125
MFS31	553.0	639.0	968	370	775	220
MFS35	609.0	695.0	1086	440	875	220





Highlight Features:

- Suggested Installation: Domestic In-ground and above ground pool / hot spa tub
- Max operating pressure 28 psi / 2.0 bar
- Max temperature of 40°C (104 °F)
- Universal standard of union connection provided
- Suggested size of media : 0.5-0.8mm

"P" Series Top Mount Filter

FEATURES

Polyethylene tank has been well-received by the industry due to the durability, trustworthy performance and economical reason. With UV-resistant material used, it is able to operate under prolong sunlight for years of reliability. "P" Series (P350-P700) top mount filters are equipped with a six-position, side mount multiport valve and ABS laterals.

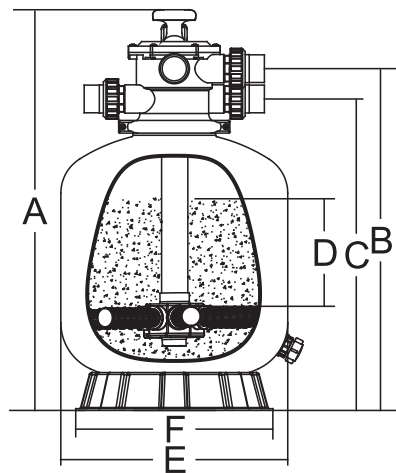
Technical Information

Code	Model No	Filter Area(m ²)	Valve Connections		Max Flow Rate		Sand(kg)
88011601	P350	0.10	1.5 inch	50mm	72lpm	4.32m ³ /h	20
88011602	P400	0.13	1.5 inch	50mm	102lpm	6.12m ³ /h	35
88011603	P450	0.16	1.5 inch	50mm	130lpm	7.80m ³ /h	45
88011604	P500	0.22	1.5 inch	50mm	180lpm	10.80m ³ /h	85
88011605	P650	0.31	1.5 inch	50mm	255lpm	15.30m ³ /h	145
88011607	P700	0.39	1.5 inch	50mm	320lpm	19.20m ³ /h	210

Note: Suggested sand weight varies with differences in filter media size. For reference only.

Product Dimension

Model No	A mm	B mm	C mm	D mm	E mm	F mm
P350	726	619	550	160	350	298
P400	757	640	590	175	400	390
P450	814	698	638	210	449	390
P500	845	730	670	235	527	500
P650	950	835	775	300	627	500
P700	1020	905	845	330	703	500





"SP" Series Side Mount Filter

FEATURES

Polyethylene tank has been well-received by the industry due to the durability, trustworthy performance and economical reason. With UV-resistant material used, it is able to operate under prolong sunlight for years of reliability. "SP" Series (SP350-SP700) side mount filters are equipped with a six-position, side mount multiport valve and ABS laterals.

Technical Information

Code	Model No	Filter Area(m ²)	Valve Connections		Max Flow Rate		Sand(kg)
88011703	SP450	0.16	1.5 inch	50mm	130lpm	7.80m ³ /h	45
88011704	SP500	0.22	1.5 inch	50mm	180lpm	10.80m ³ /h	85
88011705	SP650	0.31	1.5 inch	50mm	255lpm	15.30m ³ /h	145
88011707	SP700	0.39	1.5 inch	50mm	320lpm	19.20m ³ /h	210

Note: Suggested sand weight varies with differences in filter media size. For reference only.

Product Dimension

Model No	A mm	B mm	C mm	D mm	E mm	F mm	G mm
SP450	360	420	730	210	449	390	125
SP500	390	450	770	235	527	500	125
SP650	430	490	850	300	627	500	125
SP700	450	510	960	330	703	500	125



Highlight Features:

- Suggested Installation: Domestic In-ground and above ground pool / hot spa tub
- Max operating pressure 28 psi / 2.0 bar
- Max temperature of 40°C (104 °F)
- Universal standard of union connection provided
- Suggested size of media : 0.5-0.8mm

